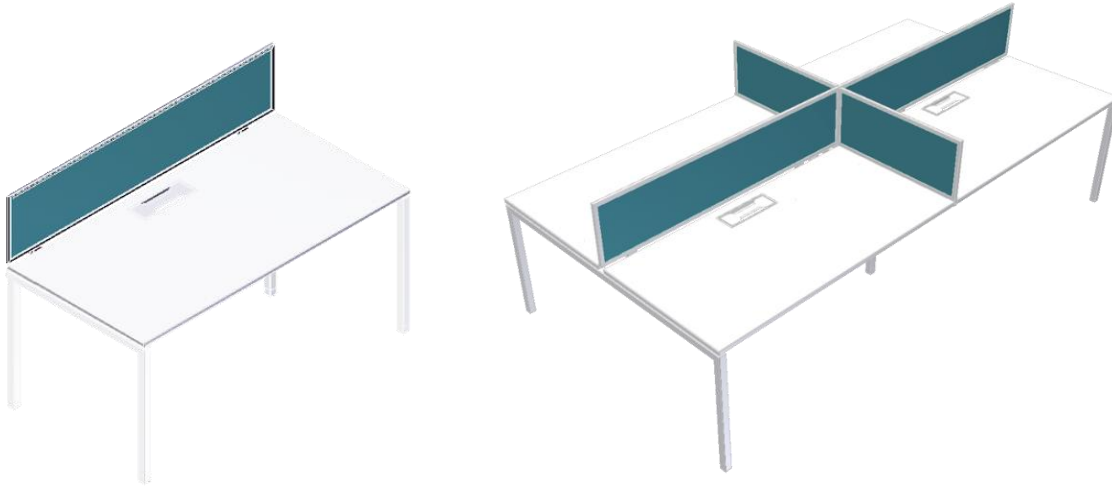
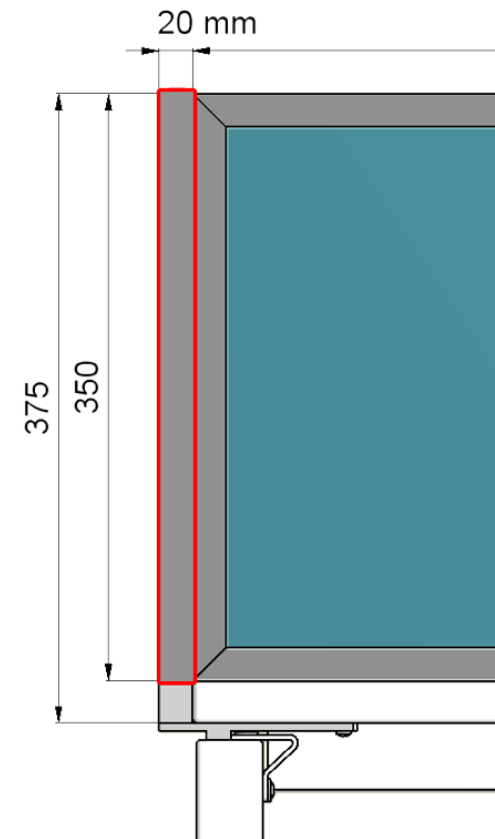


NOVA screens and accessories



- **Nova screens are designed for table combinations (Bench) and individual tables;**
- **Screen height: 350 mm (from table top);**
- **Screen frame (20x20 mm): bottom and sides – tube, top - U profile;**
- **The filling is made from MDP 12 mm perimeter covered with 3 mm foam and covered with tapestry;**

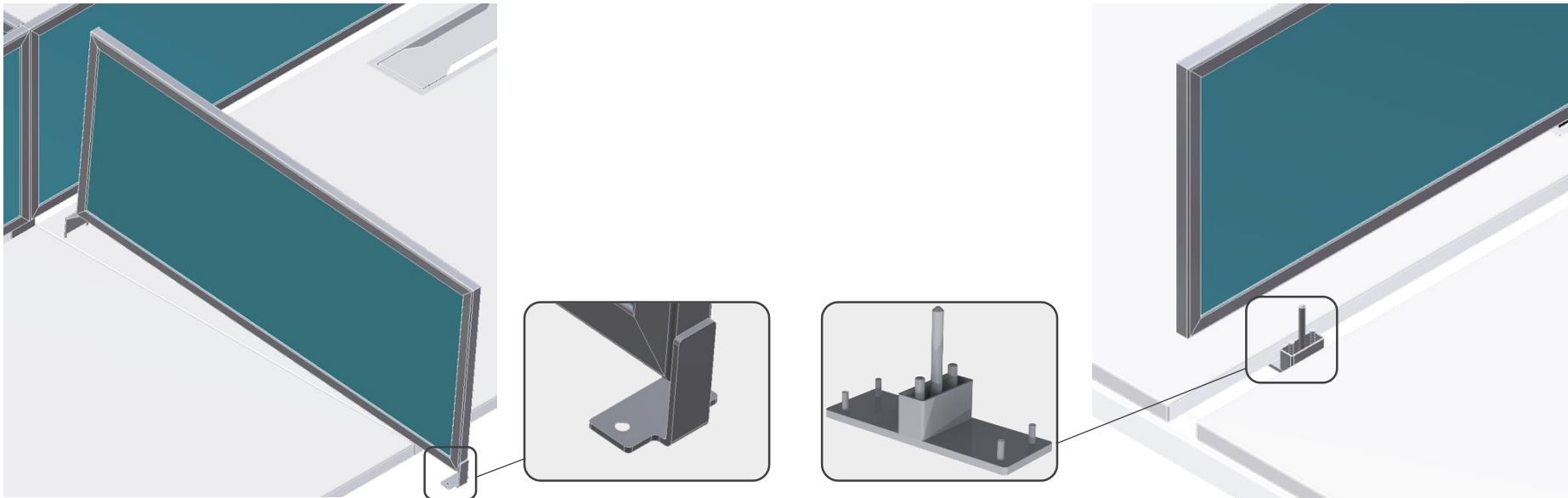
- **Side and front screens are mounted at the same height behind table top gabarit 20 mm.**



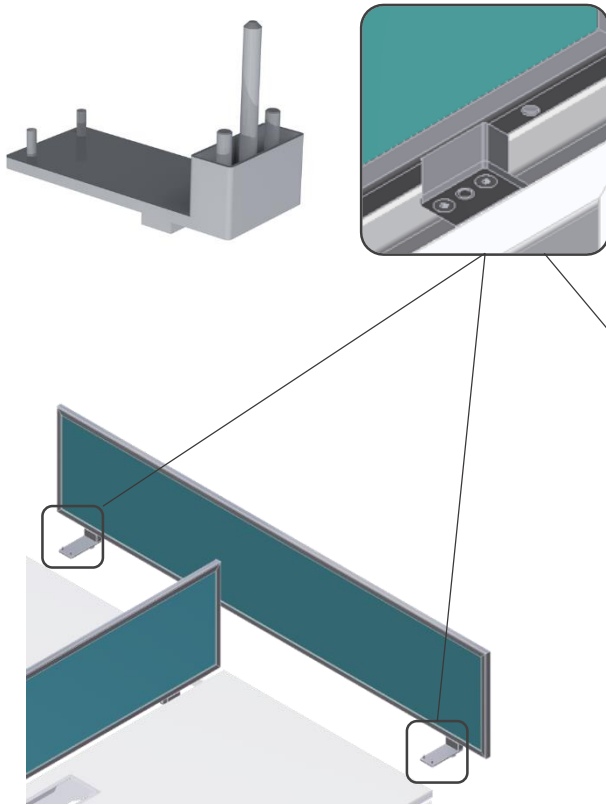
NOVA screens are fixed to tabletop using metal fittings, which are tightened with screws for wood.



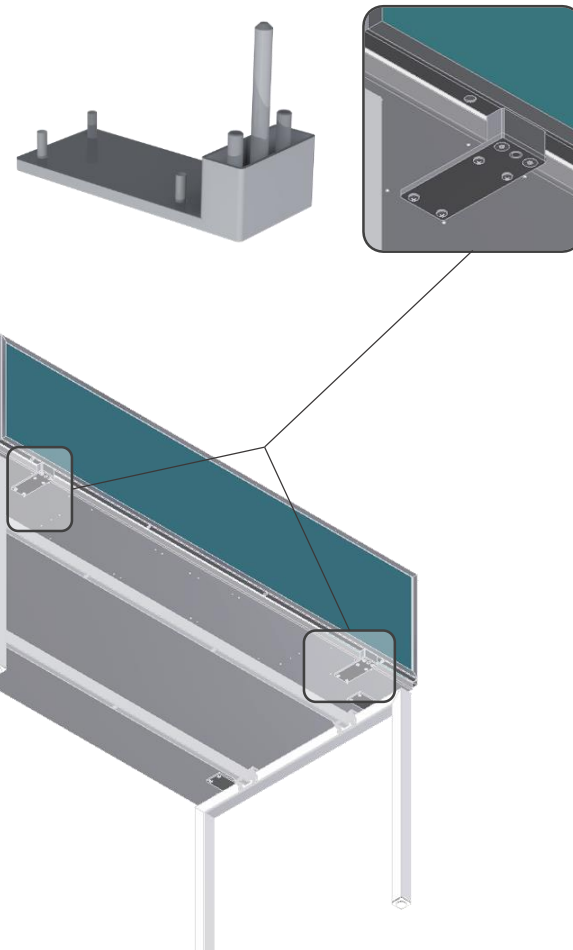
Screen fittings in table combinations (Bench)



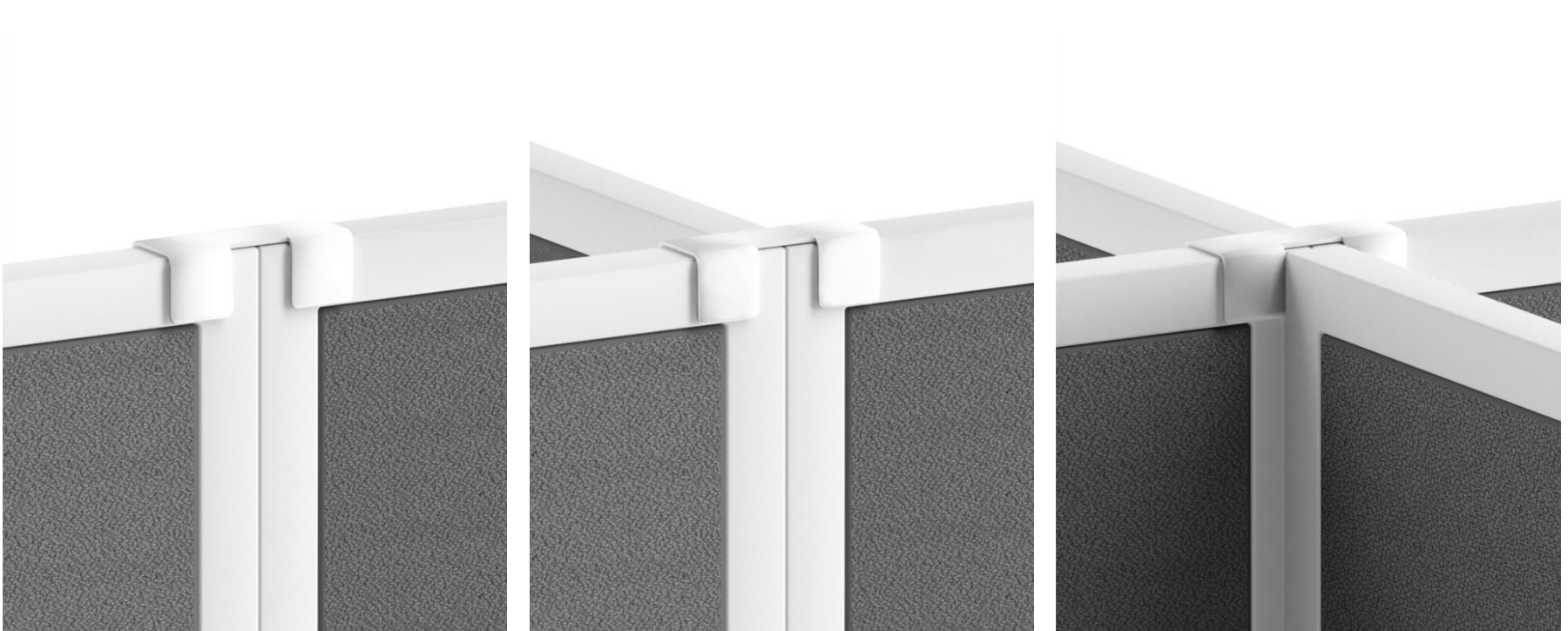
- **Side screen fitting**



- **Front screen fitting**

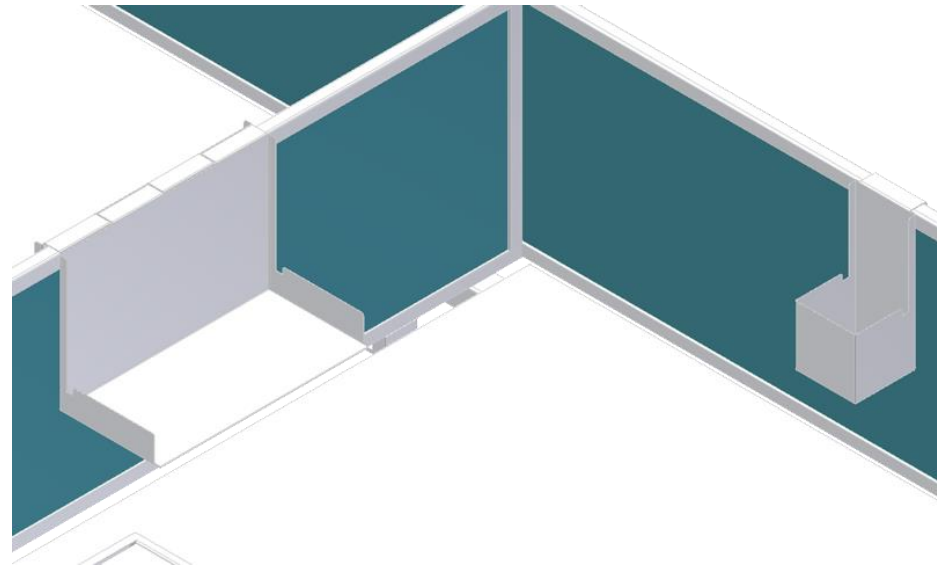
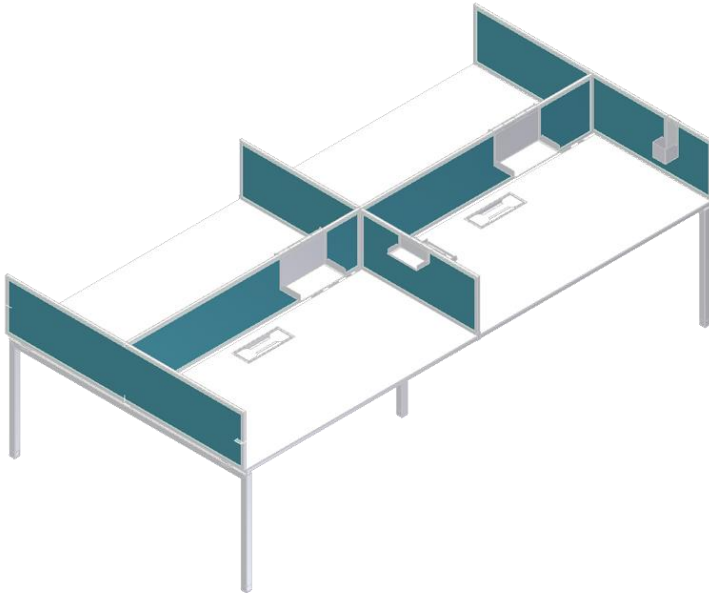


**Connecting component (64x25, H=22)
designed to align**



Box for office supplies

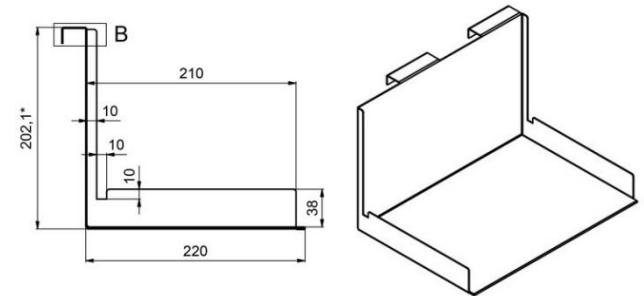
- Suitable for fabric and metal frame screens
- Mounted in any convenient location.



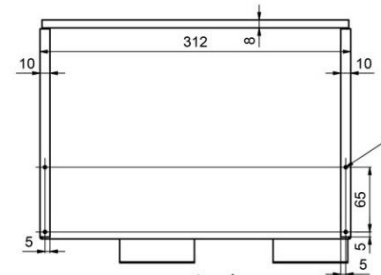
Box designed to place A4 paper sheets



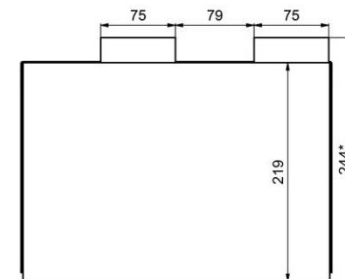
Side cut



View from bottom



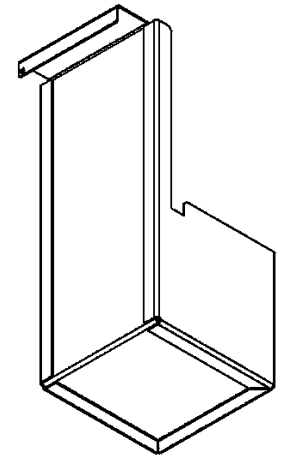
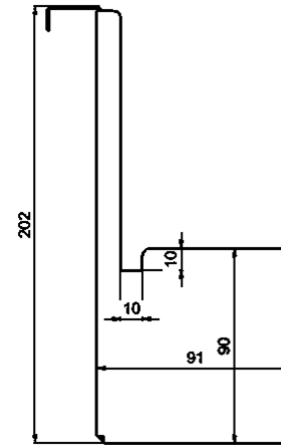
View from above



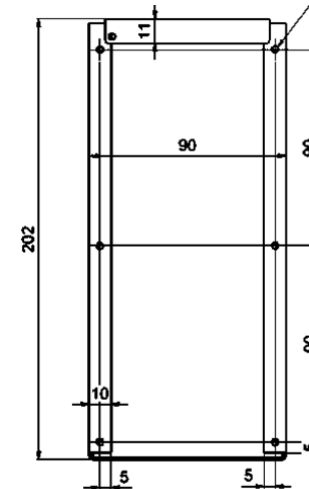
Box designed to place writing instruments and other office goods



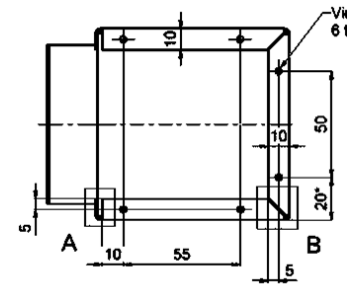
View from left side



View from back



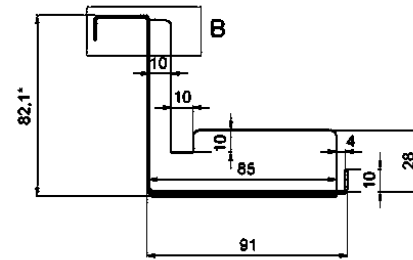
View from bottom



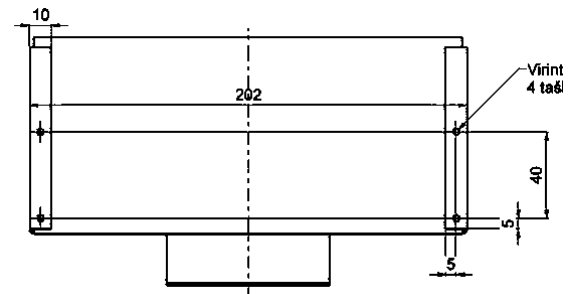
Box designed to place small office goods



Side cut



View from bottom



View from above

